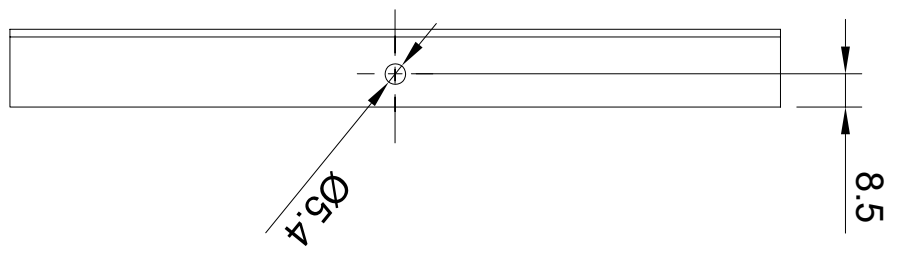
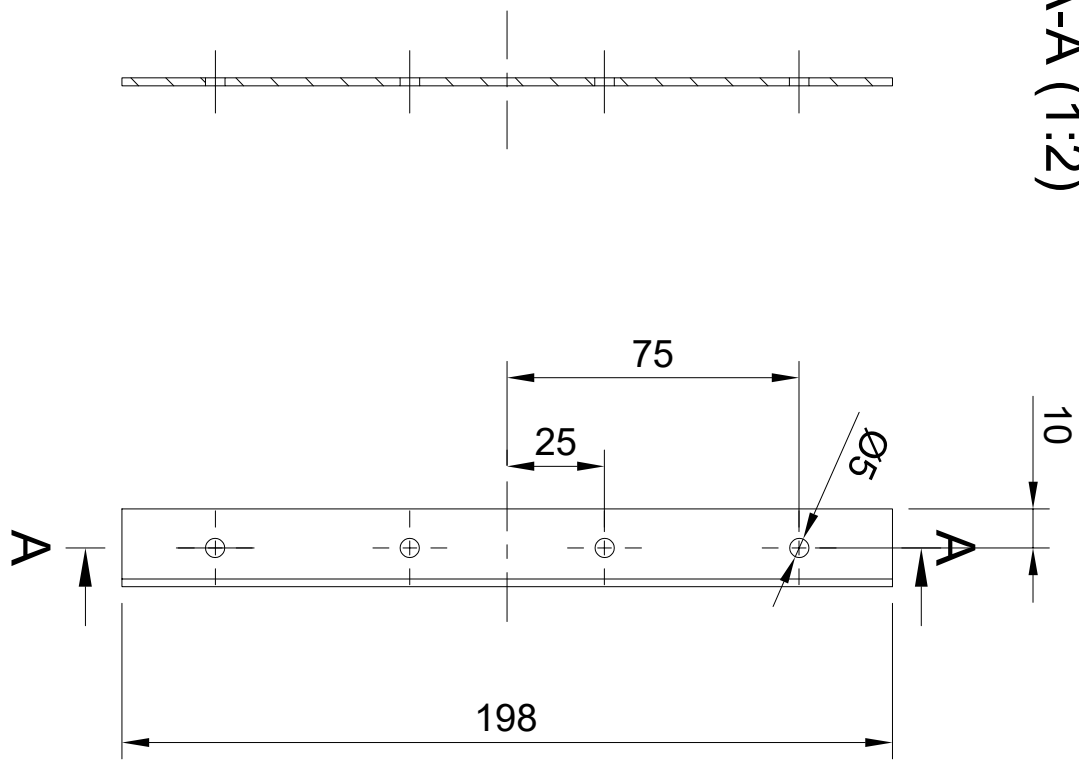


A-A (1:2)



Dept.	Technical reference	Created by Philipp Dengler 07.12.2022	Approved by
		Document type	Document status
		Title TOP_FRAME	DWG No.
		Rev.	Date of issue
			Sheet 1/1